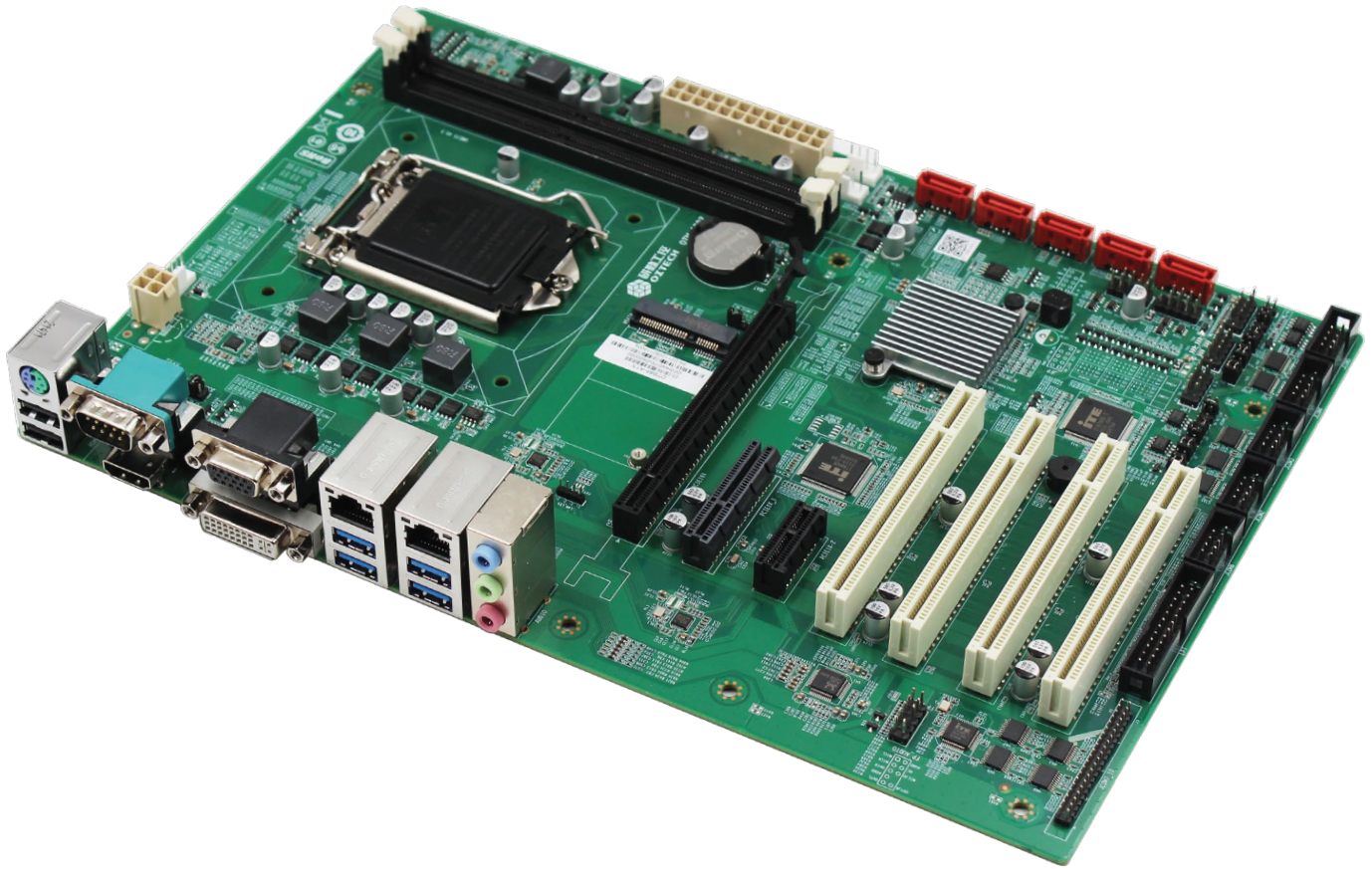


HWD-75

Intel Haswell Processors based Embedded
ATX Motherboard with B85



Features

- CPU: Intel Haswell Processors with B85
- Memory: 2x UDIMM DDR3 Up to 32GB
- Display: Integrated Graphics, Display via HDMI+VGA+DVI
- Ethernet: 10/100/1000 Mbps
- Storage: 1x mSATA, 5xSATA(SATA4,5 are SATA2.0 definition)
- Expansion: PCIe1X, PCIe2X, PCIe16X, PCI
- Power: ATX_24PIN + 4PIN



IoT Solutions
Alliance

Industrial Solution
Builders Specialist

Maxtang[®]

MAXIMIZING YOUR COMPUTING PRODUCTIVITY

Introduction

The Maxtang ATX HWD75 embedded motherboard is based on Intel Haswell (i3, i5, Celeron) processors with B85 Chipset, which provides a complete PC platform with powerful performance. It supports multiple displays in addition to 2xUDIMM DDR3 memory. Features with two 1-Gigabit Ethernet controllers, mSATA, SATA for storage, a rich interface as 10xCOM(COM7-10 Optional), 6x USB2.0(4*Headers), 4 x USB3.2 Gen 1, Line-in, Line-out, and Mic-in caters to most market requirements.

The HWD75 is an ideal solution for various industrial applications. It retains the robust design just like all other Maxtang products with cost advantages. Our goal is to provide you with an excellent customer experience with a great product based on flexibility and reliability.



H/W Monitor



Watchdog

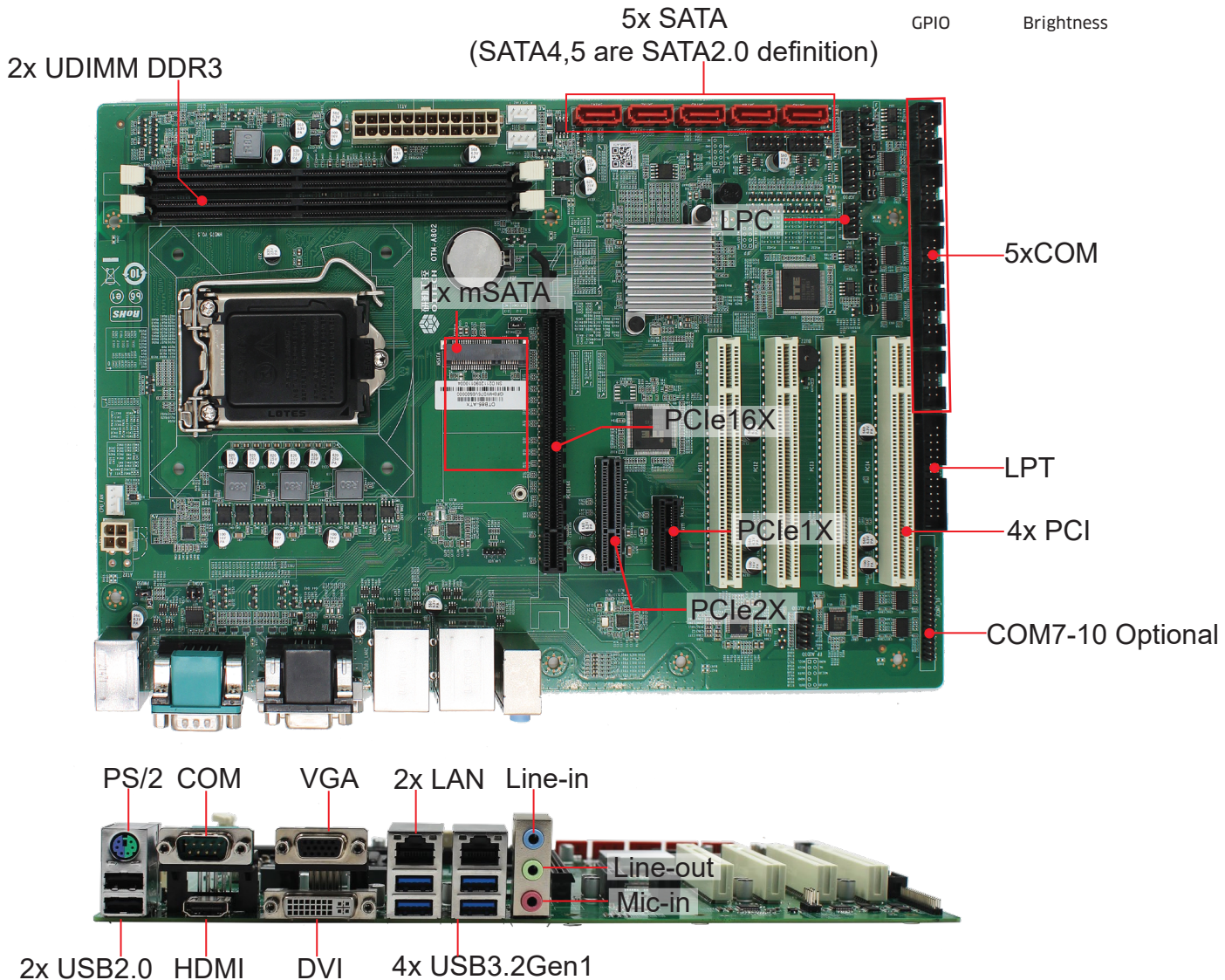


GPIO



Brightness

I/O Interfaces

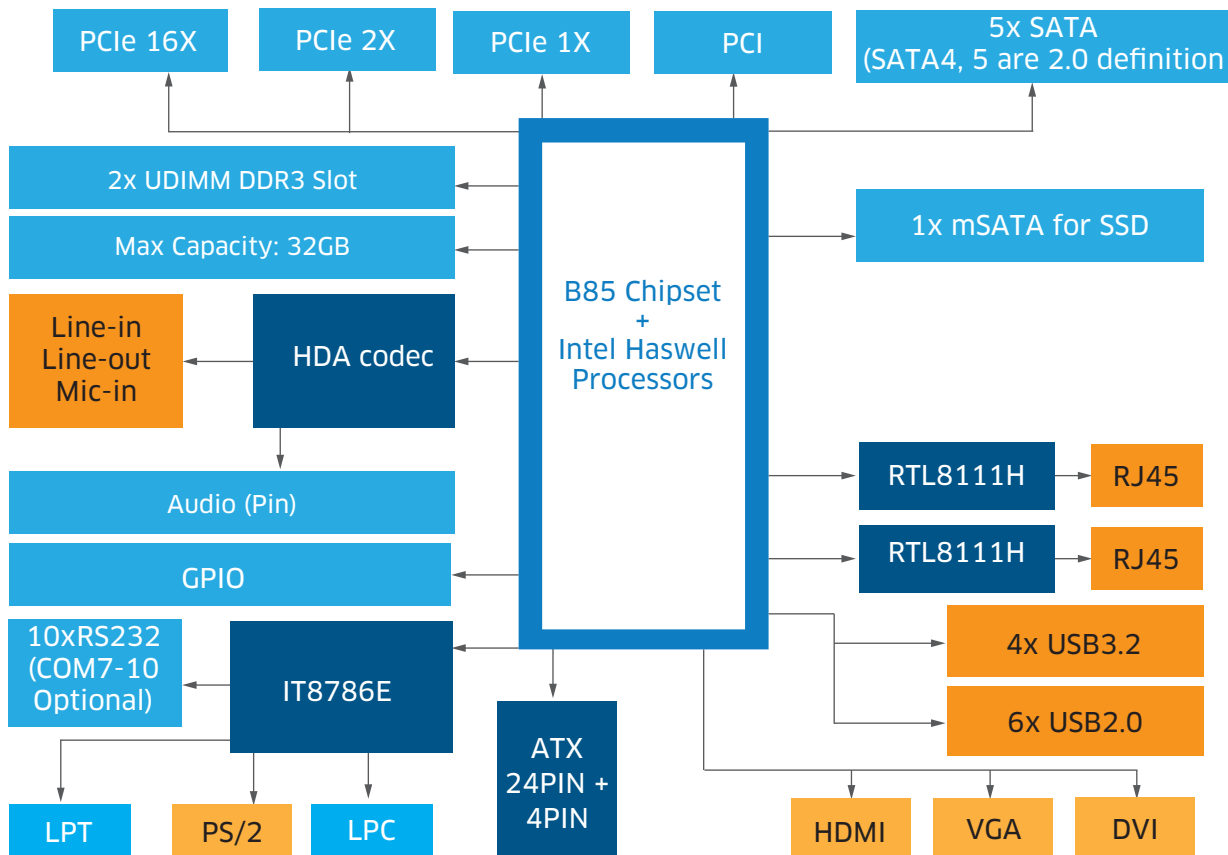


Technical Specifications

Processor	CPU	Intel Haswell Processors
	Chipset	B85
Memory	Type	2x UDIMM DDR3
	Max Capacity	Up to 32GB
Display	GPU	Intel Integrated Graphics based on CPU
	Port	1x HDMI + 1x VGA+ 1x DVI
Ethernet	Speed	10/100/1000 Mbps
	Controller	RTL8111H
	Interface	2x RJ45
Audio	Audio Codec	Realtek HD
	Interface	Line-in,Line-out, Mic-in,
Hardware		CPU and system temperature, on-board voltage, watchdog
Storage	SATA	5x SATA (SATA4,5 are SATA2.0 definition)
	mSATA	1x mSATA for SSD
Expansion	PCI	4
	PCIe16X	1
	PCIe2X	1
	PCIe1X	1
I/O Interface	LAN	2
	COM	10xCOM: 6*RS232 COM1-6 default + 4*RS232 COM7-10 optional
		The COM2, COM4 can be set as RS485/RS422 by jumper
	USB2.0	2x USB2.0 Ports+ 4x USB2.0 Header
	USB3.2	4x USB3.2 Gen1 Ports
	HDMI	1
	VGA	1
	DVI	1
	Audio	1xLine-in + 1x Line-out + 1x Mic-in
	PS/2	1 (for PS/2 keyboard and mouse)
	GPIO	8 (one group)
	LPT	1
	LPC	1
	Dimension	Size
Board Type		ATX
Power	Standard Port	ATX_24PIN + 4PIN
	Peripheral Input	For Fan and SATA
Temperature	Operating Temp.	-20°C to 60°C
	Storage Temp.	-40°C to 80°C
Operating System		Windows 7/8.1/10, Linux

* All specifications and photos are subject to change without notice.

Functional Block Diagram



Order Information

Model Name	Description
DTB85-6COM-ATX	DT ATX Intel B85 HWD75 2LAN 6COM 1xPCIE16X+1xPCIE2X+1xPCIE1X+4xPCI

*For customized options, please consult regional sales. And please confirm the model name and description before purchasing. *The model name and description might vary due to inventory changes.